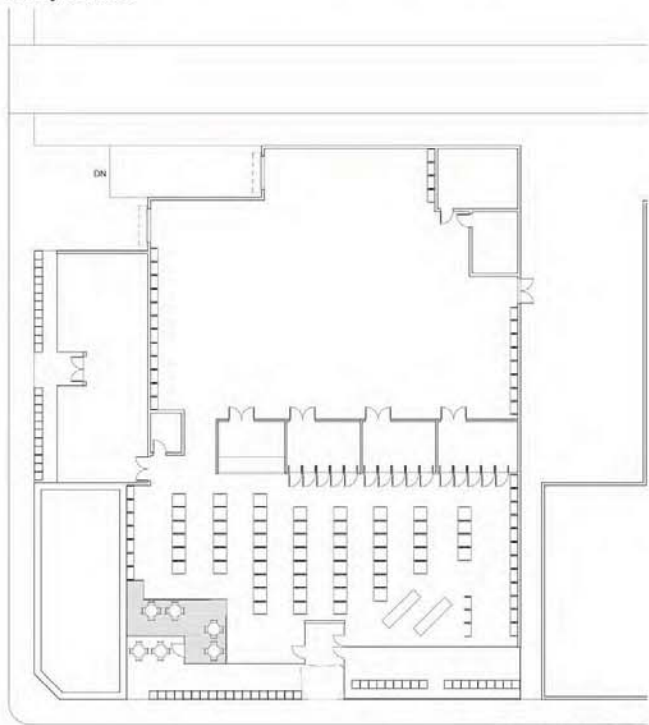
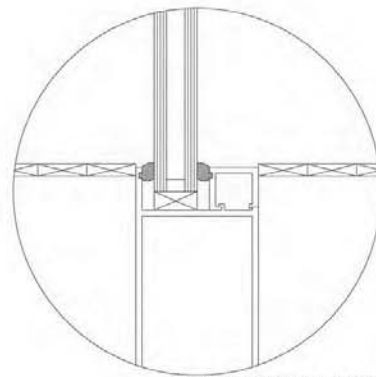


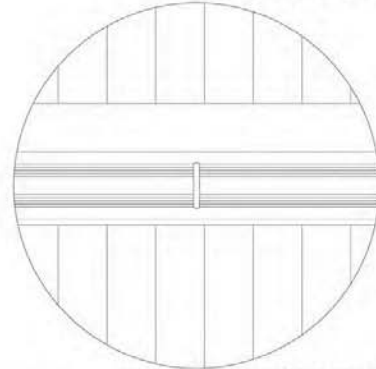
PETERSBURG GROCERY STORE
 Boone County Revival
 Casey Painter



FIRST FLOOR PLAN



CURTAIN WALL DETAIL SECTION



CURTAIN WALL CONNECTION IN PLAN

Curtain walls start in closed position, creating a
 another room that is a buffer zone for the interior.



FRONT PORCH AND ENTRYWAY



Each pane rotates 90 degrees on a track system.



Each pane then slides to the side of the building,
 opening up the building to the outside.



CURTAIN WALL SYSTEM DIAGRAM



DELI SEATING



MAIN STREET VIEW